

# Round LED Off Road Lights - Model Trail 6 Pro

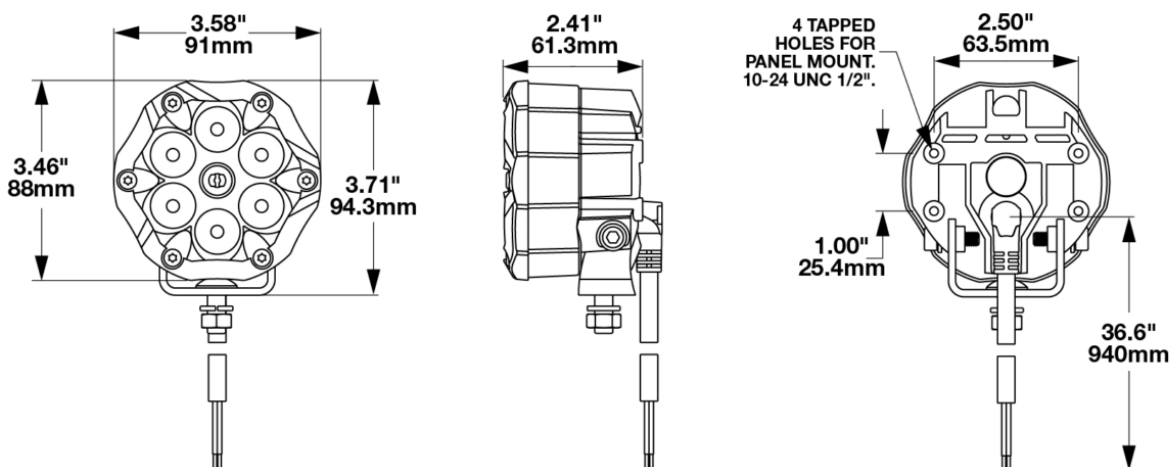
## PRODUCT INFORMATION

<b>Description</b>	12V LED Off Road Light with Wide Flood Beam Pattern and BlueTooth® Connectivity
<b>Height</b>	94.00 mm / 3.7 in
<b>Width</b>	91.00 mm / 3.58 in
<b>Depth</b>	61.30 mm / 2.41 in
<b>Shape</b>	Round
<b>Outer Lens Material</b>	Polycarbonate
<b>Outer Lens Color</b>	Clear
<b>Housing Color</b>	Black
<b>Mounting Hardware Description</b>	(x1) 8-1.25 x 20 Stainless Steel
<b>Minimum Operating Temperature</b>	-40 °C / -40 °F
<b>Maximum Operating Temperature</b>	80 °C / 176 °F
<b>Connector or Wiring</b>	3' Cable with Integrated Connector
<b>Product Weight</b>	2.00 lbs / 0.91 kgs
<b>Shipping Weight</b>	2.85 lbs / 1.29 kgs



**TRAIL 6 PRO.**

## PRODUCT DIMENSIONS



Print date: 2020-08-21

© 2020 J.W. Speaker Corporation • Germantown, WI U.S.A.  
www.jwspeaker.com • speaker@jwspeaker.com • 262.251.6660

**J.W. SPEAKER**  
Engineered. Lighting. Solutions.

# Round LED Off Road Lights - Model Trail 6 Pro

## ELECTRICAL SPECIFICATIONS

---

<b>Input Voltage</b>	12V AC
<b>Black Wire</b>	Ground
<b>Red Wire</b>	Power
<b>Current Draw</b>	2.50A @ 12V AC

## REGULATORY STANDARDS COMPLIANCE

---



Bluetooth SIG Declaration ID Buy America Standards  
Eco Friendly

---

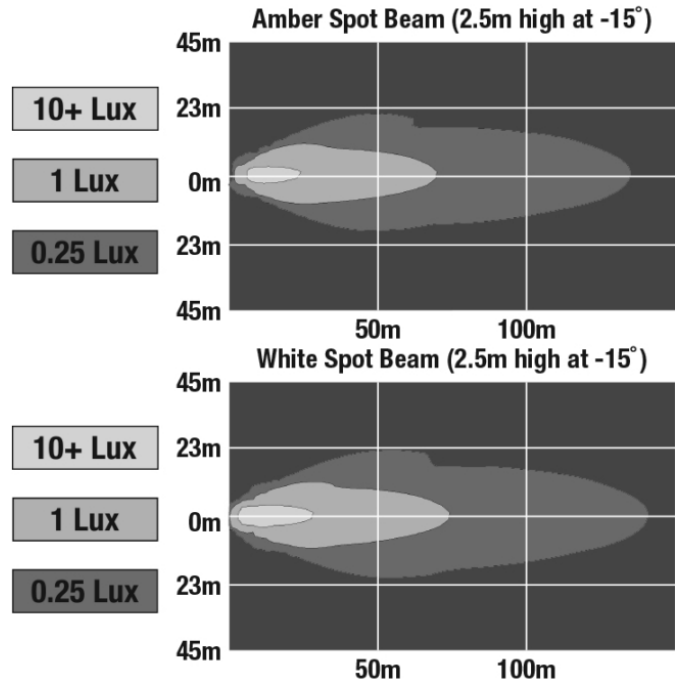
**Print date: 2020-08-21**

© 2020 J.W. Speaker Corporation • Germantown, WI U.S.A.  
www.jwspeaker.com • speaker@jwspeaker.com • 262.251.6660

# Round LED Off Road Lights - Model Trail 6 Pro

## PHOTOMETRIC SPECIFICATIONS

<b>Raw Lumen Output</b>	1,320
<b>Effective Lumen Output</b>	840
<b>Candela Output</b>	31,200
<b>Beam Pattern(s)</b>	Forward Lighting - Flood (Standard) Forward Lighting - Flood (Medium) Forward Lighting - Flood (Wide) Forward Lighting - Spot



## APPLICATIONS



## PRODUCT WARNINGS

For California residents:

**⚠ WARNING:** Cancer and reproductive harm - [www.P65Warnings.ca.gov](http://www.P65Warnings.ca.gov).

**⚠ AVERTISSEMENT:** Cancer et effet nocif sur la reproduction - [www.P65Warnings.ca.gov](http://www.P65Warnings.ca.gov).

Print date: 2020-08-21

© 2020 J.W. Speaker Corporation • Germantown, WI U.S.A.  
www.jwspeaker.com • speaker@jwspeaker.com • 262.251.6660



# Round LED Off Road Lights - Model Trail 6 Pro

## ACCESSORIES

---



**Part Number**  
**8200563**

Appearance Kit - White  
ABS



**Part Number**  
**8200573**

Jeep Wrangler JK Front  
Grille Mounting Kit - 2  
Bracket Kit



**Part Number**  
**6600801**

COLOR MONITOR, 5"



**Part Number**  
**8001661**

Center Mount Camera  
with Bezel



**Part Number**  
**8001671**

Side Mount Camera  
with Bezel